

BL2832I

| 1W~13 W | Weight: 71g (APPROX)

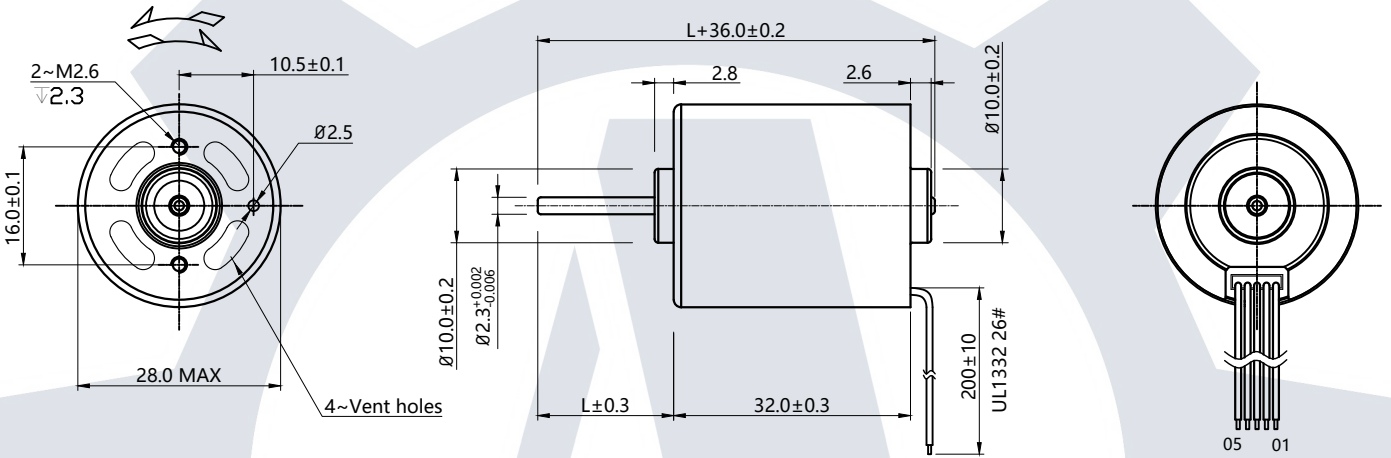
Rated Voltage from 6V to 30VDC, Speed, torque, etc. free customization.

典型应用 Typical Application

个人护理(Personal Care)
家用电器(Home Application)
电动工具(Power Tools)
商业设备(Business Equipment)
医疗器械(Medical Apparatus)

连接端口 Connector Interface

Number	Wire color	Function
1	Red	VCC
2	Green	FG
3	Yellow	CW/CCW
4	Black	GND
5	Blue	PWM


DIRECTION OF ROTATION


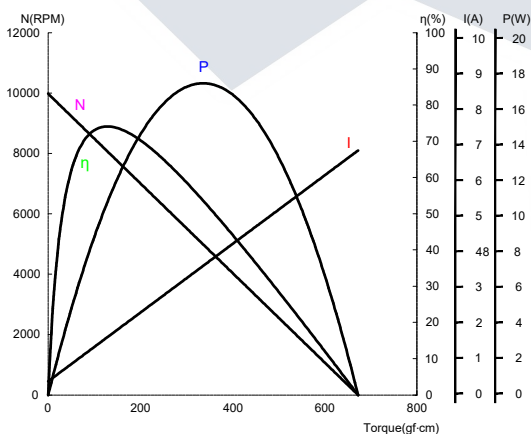
Shaft Length "L" can be customized charge-free, shaft shape can be also customized accordingly.

UNIT: MM

型号 Model	电压 Voltage		空载 No Load		最大效率点 At Max Efficiency						堵转 Stall		
	工作范围 Operating Range	额定 Rated	转速 Speed	电流 Current	转速 Speed	电流 Current	扭矩 Torque	输出功率 Output	效率 Efficiency	扭矩 Torque	电流 Current		
	VDC		RPM	A	RPM	A	mN·m	gf·cm	W	%	mN·m	gf·cm	A
BL2832I-V1	5 - 12	6	4200	0.165	3384	0.684	6.98	71.19	2.47	60.3	35.88	366	2.84
BL2832I-V2	8 - 12	9	9979	0.377	8071	1.595	12.61	128.58	10.65	74.2	65.88	672	6.75
BL2832I-V3	8 - 15	12	6300	0.121	5318	0.655	9.28	94.66	5.17	65.8	59.51	607	3.55
BL2832I-V4	8 - 26	24	13220	0.108	11564	0.754	10.35	105.59	12.54	69.3	82.55	842	5.26

BL2832I-V2 Performance curves

9V DC



BL2832I-V3 Performance curves

12V DC

